



Type: **SAE-PE24240-FDG-U**

Technical Specification of SAE-PE24240-FDG-U

24 POE ports & 24 port 10/100 switch & 2 Gigabit fiber ports(SFPs)

PoE Switch with 26 PoE Ports and 2 Gigabit fiber Ports



- Full transferring data for network devices supported
- 24 x RJ45 ports fast ethernet auto-sensing
- Supports Auto MDI/ MDIX
- Strong, reliable power supply
- Architecturally store-and-forward protocol
- Natural cooling by using method of Fan less design
- Metal compact package design, suitable for desktop or 1-U rack mount
- 2xCombo ports (Gigabit SFP + Gigabit RJ45)
- Uplink port: 1.25Gbps fiber interface

Product Description

This **SAE-PE24240-FDG-U** PoE switch prepare a field that power and data can feed from a single point, using Power over Ethernet (PoE) over a single cable. One 24-fast Ethernet ports and one 2-Combo ports (gigabit sfp + gigabit RJ 45) prepare any 1000 Mbps link and the rest of 24 ports can supply industry-standard IEEE 802.3af power for every POE standard devices.



Regards to using advanced auto-sensing algorithm the **SAE-PE24240-FDG-U** gives power only to IEEE802.3af front-end devices, so don't worry about connecting PoE or non-PoE devices to this feeder. Additionally, this good gives up the power when PoE devices are disconnected. Intelligently, this PoE Switch **SAE-PE24240-FDG-U** can recognized automatically PoE demands of devices, speed, duplex, and cable type using Auto Uplink™.

Remarkably, it has two gigabit fiber ports (SFPs) that helps smart CCTV network designers to improve their planning and use the switch intelligently.

SAE-PE24240-FDG-U made by high quality of components were rigorous screened, have superior performance in stability, environmental adaptability. The product planned in a way of better resistance and ability to corrosion and electromagnetic interference. Power input also made a suitable and reliable types of power, to get more powerful suitability to environment.

Applications

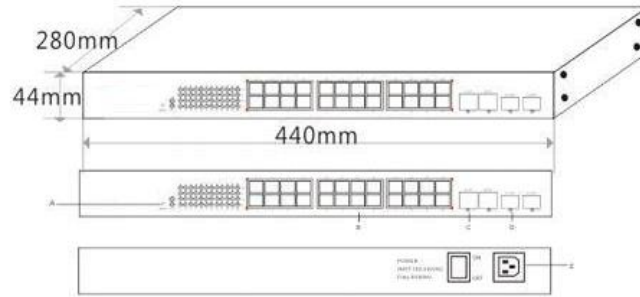
- IP Camera in CCTV monitoring and transmitting systems
- Digital Radio in transmission systems
- IP telephony , virtual PABX and intelligent unmanned systems
- Management and support Intelligent transportation supervisory (ITS)
- Monitoring TV medical and management
- Tele-Communication System
- School , campus, and... monitoring and remote control
- Wireless systems(AP) and transmission data



Technical specification

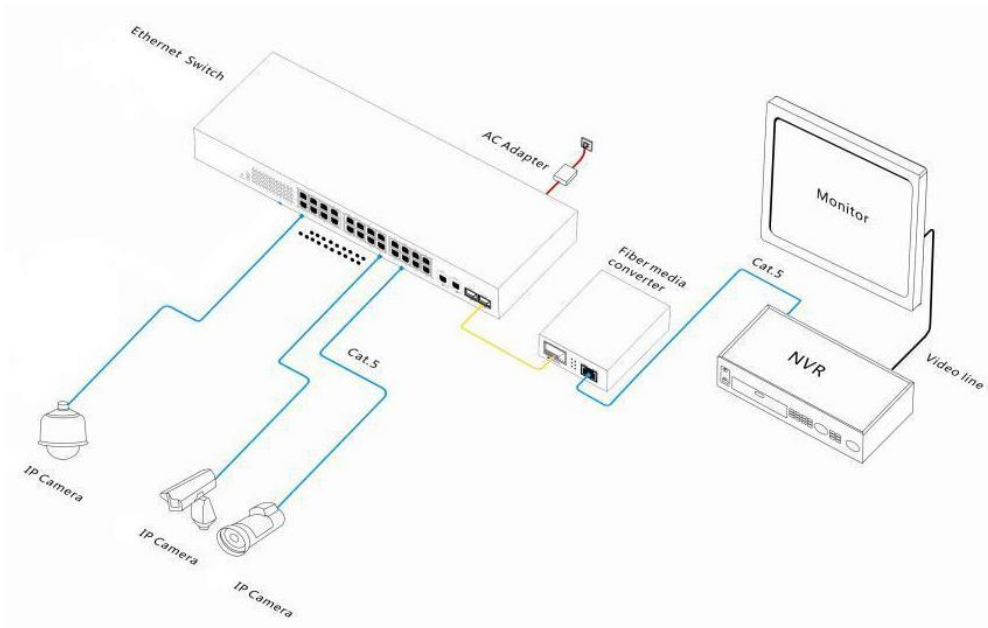
Product name	SAE-PE24240-FDG-U	
Performance (Switching capacity and forwarding rate)		
Bandwidth	8.8Gbps (non-blocking)	
Network Latency (100 to 100M bps)	maximum delay less than 20 microseconds	
Packet Buffer Memory	2.75M	
Address Database Size	1,000	
MTBF	190,000 hours (about 21 years)	
Interface		
Ports	24-Port 10/100M Base-T + 2x Combo ports (Gigabit SFP + Gigabit RJ45)	
Protocol		
Store-And-Forward		
Standards		
IEEE 802.3i 10BASET	IEEE 802.3u 100BASETX	
IEEE 802.3x Flow Control		
power		
Power input	AC100-240V 50/60Hz (every country use a custom power plug)	
Cable length detection	100m	
Environmental Aspects		
Dimensions	440x280x44mm	
Working Environment	Operating Temperature: 0 ° ~ 55 ° C Storage Temperature: -20 ° ~ 75 ° C Operating Humidity: 10% ~ 95%, non-condensing	

Technical specification



- A: Working LED indicator
- B: 24 Port
- C/D: Gigabit TP/SFP Combo Port
- E: 100-240VAC, 50/60Hz

Product Application Display



Technical Specification of:

SAE-PE2424-FDG-U